

PRODUCT SPECIFICATIONS

CHIRO-X VERTICAL WALL FRAME: QW-400

- Exclusive EZ-Glide hand control for vertical travel
- Low absorption front cover with centering line and cassette indicators
- Integral system counterbalancing
- Vertical travel: 42.5" (108 cm)
- FAIL-SAFE electromagnetic vertical braking system
- Accepts cassette sizes of up to 14" x 17" (35 x 43 cm)

CHIRO-X VERTICAL WALL FRAME: QW-401

- Specifications are same as above, with exception of:
- Cassette size varying to 14" x 36" (35 x 91 cm)
- Vertical travel: 22.5" (57 cm)

VERTI-Q VERTICAL WALL STAND: QW-420

- Exclusive EZ-Glide hand control for vertical travel
- Low absorption front cover with centering line and cassette indicators
- Patient chin rest
- Integral system counterbalancing
- Vertical travel: 60.5" (154 cm)
- FAIL-SAFE electromagnetic vertical braking system
- Accepts cassette sizes of up to 14" x 17" (35 x 43 cm)

VERTI-Q VERTICAL WALL STAND: QW-421

- Specifications are same as above, with exception of:
- Cassette size varying to 14" x 36" (35 x 91 cm)
- Vertical travel: 42" (107 cm)

TUBESTAND: QS-506

- Floor/ceiling type with 6' tracks and 48" of longitudinal travel (floor/wall mounting available with QS-4W option)
- Operator control handgrip includes:
 - Multi-function, fingertip controls for all tubestand movements (vertical, horizontal and angulation)
 - ALL-LOCKS release switch
 - Source-to-Image Distance indicators — (LED type)
 - Easy-to-read angulation display for tube rotation
- Integral system counterbalancing
- Electromagnetic locks for horizontal and angulation movements
- Tube Angulation of +/- 135°, with detents at +/- 90° and 0°
- FAIL-SAFE electromagnetic vertical braking system

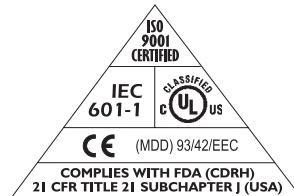
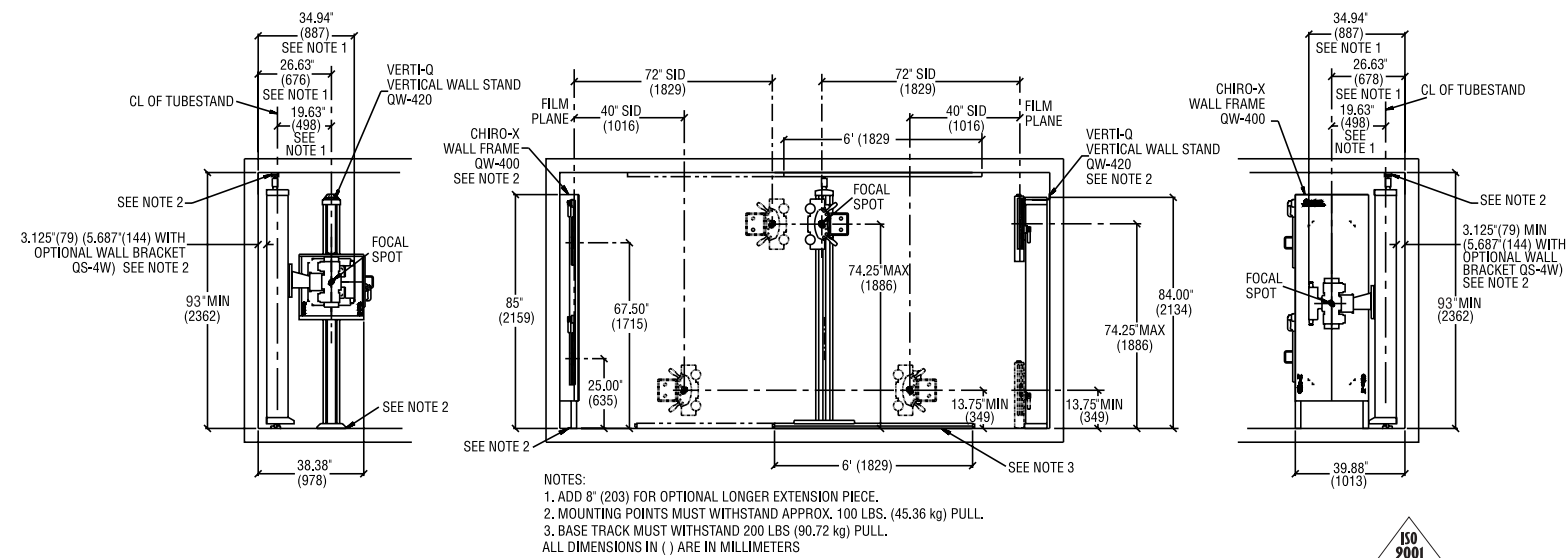
COLLIMATOR: MANUAL: R40-MC

- Manual adjustment for square or rectangular pattern
- Swivel mount allowing 360° rotation, with 90° and 0° detents
- Laser light for precise cassette centering

MOBILE RADIOGRAPHIC TABLE: QT-710

- Large casters with dual foot control locks
- Two sets of operator positioning handles
- Length: 74" (188 cm)
- Width: 28" (71 cm)
- Height: 31.75" (81 cm)
- Patient Weight capacity: 350 lbs. (160 kg)

NOTE: CHIRO-X and VERTI-Q receptors can be ordered for either:
Left or Right Hand Loading



Note: specifications subject to change without notice

CHIRO-X SYSTEMS

The Ultimate in Chiropractic
High Frequency Imaging



Quantum Medical Imaging, LLC

2905 Veterans Memorial Highway • Ronkonkoma, NY 11779 USA • Tel: (631) 567-5800 • Fax: (631) 567-5074

E-mail: info@qmteam.com • www.quantummedical.net



Innovations in Imaging.

CHIROPRACTIC HIGH FREQUENCY RADIOGRAPHIC IMAGING

CORPORATE OVERVIEW

Quantum Medical Imaging is a worldwide leader in the design and manufacture of medical radiographic equipment for hospitals and imaging centers. The company's mission is to provide radiologists and technologists with the most advanced imaging systems, for the performance of high quality diagnostic x-rays.

All Quantum systems have been developed to utilize the newest technologies and materials. From the product design stage through manufacturing, Quantum systems integrate high quality materials for robust construction and advanced electronic solutions for optimal performance. Intelligent product design, rigorous manufacturing standards and a commitment to evolving technologies assure long-term system value, customer satisfaction and a safe operating environment.

The Quantum CHIRO-*X* line of High Frequency Radiographic Imaging Systems offers great flexibility provides exceptional imaging capability at cost-effective pricing.

ULTRA HIGH FREQUENCY TECHNOLOGY

Quantum's State-of-the-Art line of Ultra High Frequency generators deliver near constant potential power, for optimal imaging. Utilizing the most advanced electronic and software technologies, these x-ray generators provide significant advantages:

- Reduced Patient Dose
- Shorter Exposure Times
- Exceptional Image Quality
- Greater Efficiency / Extended Tube Life

All Quantum generators are standard with Anatomical Programming Radiology (APR), specifically designed for routine and specialty views. An easy menu driven process produces superb images with minimal operator intervention, allowing the attention and focus to remain on patient safety and comfort.

DIGITAL IMAGING READY

Quantum's CHIRO-*X* Systems are designed to be upgradable to our D-QiX Digital Platform.



Quantum's Gold Star Network

An exclusive worldwide dealer network provides factory-authorized sales and service for all Quantum Medical Imaging systems and products. These representatives are members of Quantum's Gold Star Network, an affiliation of select dealers around the world, who have been recognized for excellence in technical support and customer service.



CHIRO-*X* radiographic systems from Quantum Medical Imaging redefine the science of imaging technology for today's demanding chiropractic environment.

QS-506 Tubestand with CHIRO-*X* Vertical Wall Frame (QW-400)

QS-500 SERIES TUBESTAND

Quantum's QS-500 Series Tubestand is ideal for all chiropractic environments. Responsive and smooth, the tubestand is easily positioned using the stylish operator handgrip, with dual soft-grip handles. Fingertip controls permit easy access to multi-function lock release switches, including longitudinal, vertical and angulation. A convenient "ALL LOCKS" switch allows quick and easy repositioning of the tubestand, through its simultaneous release of all locks. The handgrip also includes an easy-to-read angulation display for accurate indication of tube rotation and LED indicators to verify the SID.

The tubestand incorporates extensive protective features, such as integral counterbalancing and the use of a FAIL-SAFE* electromagnetic vertical braking system to ensure precise positioning, safe operation and ease of use. Extended vertical and horizontal travel, along with tube assembly angulation of +/- 135°, permits complete coverage for all chiropractic radiology examinations.

FAIL-SAFE electromagnetic braking system: utilizes advanced solenoid locks, which remain engaged at all times - unless released by the operator, ensuring a safe working environment.*



CHIRO-*X* VERTICAL WALL FRAME

The CHIRO-*X* Vertical Wall Frame is custom designed for the chiropractic profession. This full-length frame allows for complete spinal imaging without the need for patient re-positioning, as the image receptor is easily repositioned behind the patient, using Quantum's exclusive EZ-Glide hand control. The low-absorption front cover of the CHIRO-*X* Vertical Wall Frame also includes a patient centering line and cassette indicators for easy and quick alignment by the operator.

VERTI-Q VERTICAL WALL STAND

The Quantum VERTI-Q Vertical Wall Stand is a versatile counterbalanced structure that allows repositioning of the entire image receptor by the operator. Durable and precise, the VERTI-Q provides extensive vertical travel and also features the exclusive EZ-Glide hand control for easy adjustment.

CHIRO-*X* and the VERTI-Q image receptors incorporate a FAIL-SAFE* electromagnetic braking system for safe operation and precise alignment. Both are available as 14" x 17" or 14" x 36" maximum cassette sizes and can be matched with fixed grid cabinets or reciprocating buckies and configured with Automatic Exposure Control (AEC).

VERTI-Q 14" x 36" Vertical Wall Stand (QW-421)



QS-506 Tubestand with VERTI-Q 14" x 17" Vertical Wall Stand (QW-420) and Mobile Table (QT-710)

MOBILE RADIOGRAPHIC TABLE (QT-710)

The Quantum mobile radiographic table is ideal for the performance of supine radiographs. Large caster wheels provide smooth table movement and maintain table stability when locked.

EZ-GLIDE HAND CONTROL

*patent pending

Quantum's exclusive EZ-Glide hand control, which is a standard feature on both the CHIRO-*X* and VERTI-Q, is ergonomically designed to allow operator adjustment from a comfortable standing position with minimal effort. By actually pivoting on its axis during image receptor movements, the EZ-Glide hand control limits the repetitive motion required for continuous receptor adjustment by the operator. The result is maximized efficiency, optimized posture for receptor positioning and reduced risk of back injury for the operator.

